

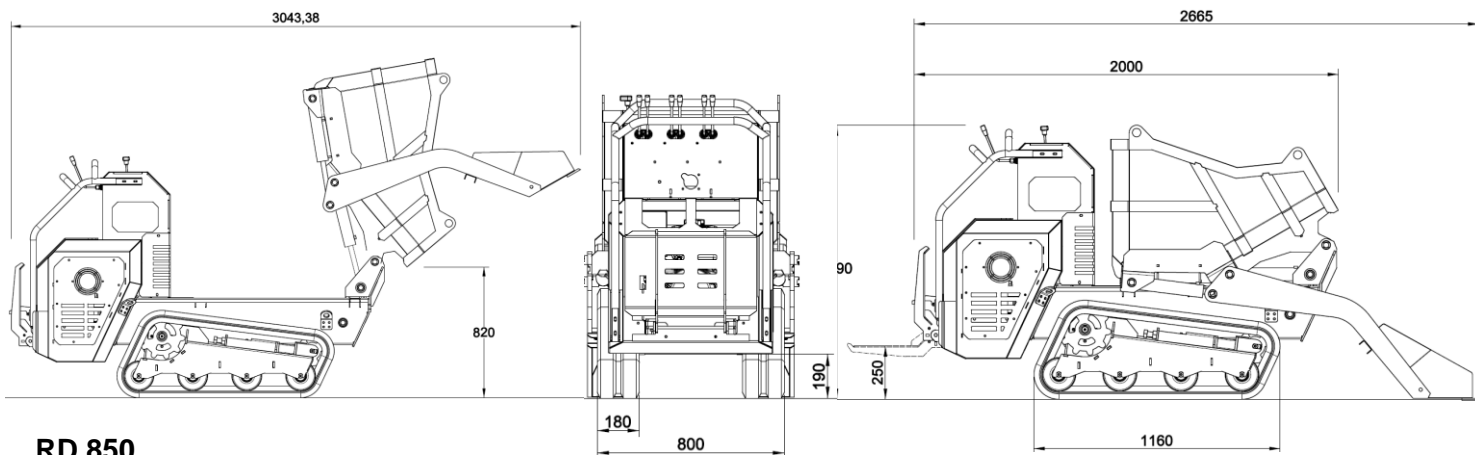


Track-Dumper



RD 850





RD 850 Technical Data

Motor	
Honda	GX 390
Type	1 cyl. / 4-stroke
Displacement	389 cm ³
Engine output	8,2 kW (11,0 HP)
Revolution speed	3600/min
Starter	reversing + electric starter
Air filter	dry cell
Fuel filter	gauze

Drive	hydrostatic
Guidance	hydraulic motor
Characteristic	hydraulic tipping device hydraulic self loader electric start lighting

operating data	
weight	735 kg
max. payload	850 kg
max. weight (loaded)	1585 kg
tipping device	hydraulic
climbing ability	max. 26° (50%)
working speed	0 – 5 km/h
oil pressure	180 bar
flow rate oil pump	28.8 ltr./min.
dumper box volume	350 ltr.



Baumaschinen GmbH

Niederhöchstädter Str. 71-73 D-61476 Kronberg
 Tel.: 0049-(0)6173-68558 Fax: 0049-(0)6173-68548
 E-Mail: info@powerpac.de Internet: www.powerpac.de